

280kg gizli tek kapı DH-280A için EM manyetik kilit

**Elektro manyetik kilit özellikleri:**





Boyut: L170 × W35 × H26, Ağırlık: 1.2kg

çekme: 180kg, Voltaj: DC 12V

Akım tüketimi: 12V / 350mA

**Elektro manyetik kilit teknik Özellikler:**

Tutma Gücü: 180kg (350Lbs)

Gerilim: 12VDC

Güncel Beraberlik: 12V / 100mA

İçin uygun: dosya dolabı, vitrin

Yüzey Sıcaklığı: ≤ + 20 ° C

Çalışma Sıcaklığı: 10 ~ + 55 ° C (14-131F)

Uygun Nem:% 0 ~ 90 (yoğuşmasız)

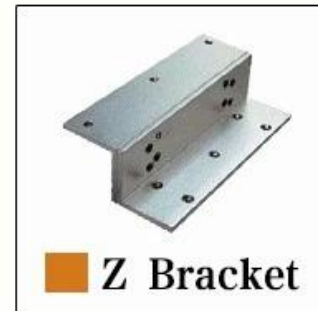
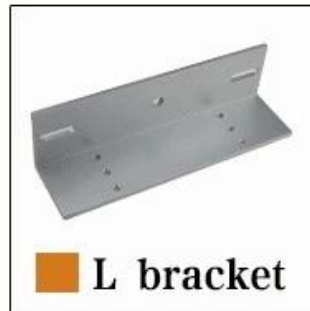
Shell için Yüzeyler: Eloksallı alüminyum

Manyetik için Bitirir: Çinko

Armatür Bitirir: Çinko

**Manyetik Kilit detay resmi**

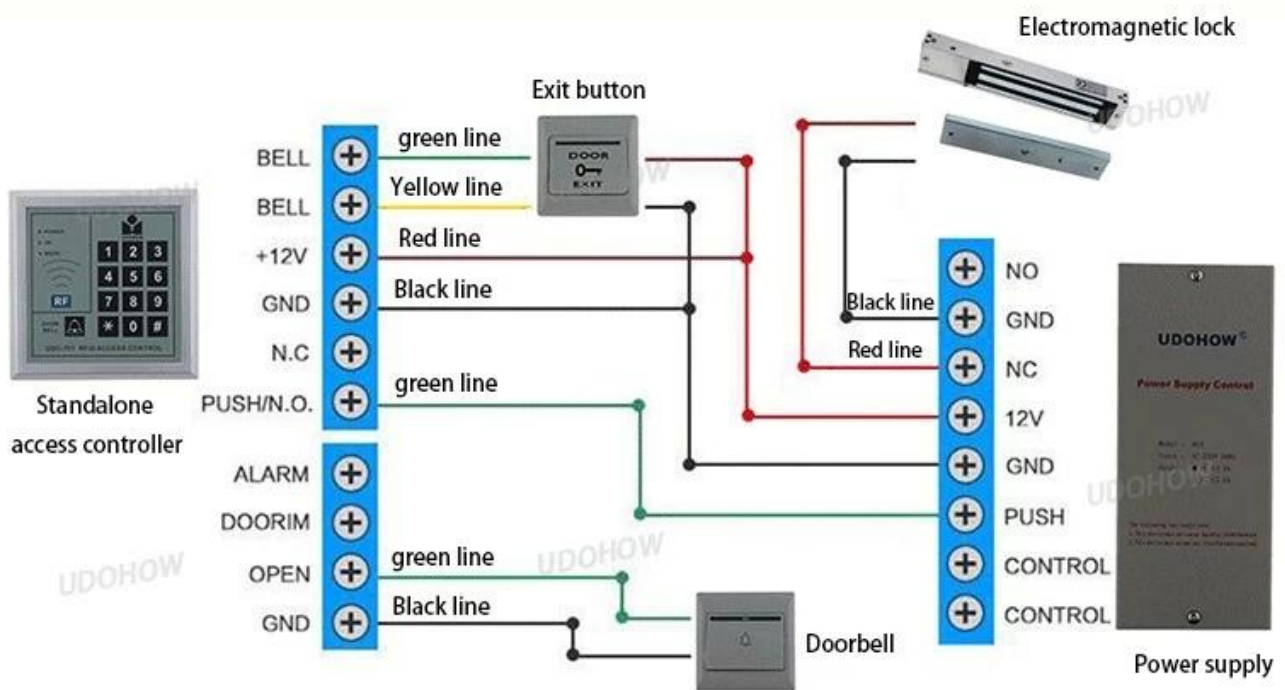
# ► Optional Accessories



## UDOHOW Magnetic lock Series

Holding Force : 180kg/375lbs		
DH-180G	DH-180A	DH-180GS
		
Holding Force : 280kgs/600lbs		
DH-280G	DH-280A	DH-280GS
		
Holding Force : 350kgs/750lbs		
DH-350G	DH-350A	DH-350GS
		
Holding Force:60KG/100lbs		Holding Force : 500kg/1200lbs
DH-60G		DH-500G
		

# ▶ Installation



# ▶ About us



**UDOHOW 鼎昊**

Our company is a high-tech enterprise. We have been specialized in the R&D, production and marketing of Access Control Products. Products include Hotel Locks, Fingerprint Locks, Keypad Locks, Electromagnetic Locks, Electric Locks, Electric Bolt Locks, Power Supplies for Access Control, Access Controllers, Access Control Boards, Access Readers, RFID Cards, Exit Buttons and Switches, Time Attendance Access Controls, Door Closers, Fingerprint Access Controllers, and Cabinet Locks.



UDOHOW

UDOHOW



UDOHOW

UDOHOW

**Products have Certification of CE, ROHS, FCC. From the lock - lock body - electronic board, UDOHOW masters the international advanced system lock technology and has a high quality assurance.**



The company Upholds the business philosophy of "Endless innovation, good faith forever", Because of the high quality of service, we have won the trust and support of our business friends. Our products are exported to the United States, France, Spain, Russia, Singapore, Thailand, Turkey, Holland and other countries.



**CONTACT US**



## **Sincerely for your service**

**You are welcome to come to consult**

**Contact:** Winnie Liang

**Cellphone/Wechat/Whatsapp:** +86 13602510930

**Skype:** udohow1

**Email:** info@udohow.com

**Web:** www.udohow.com

**Click Back Home**