

12 V Elektrikli Ölü Bolt Kapı Kilidi DH150.3

# DH-150.3NONC

## Electronic bolt lock

UDOHOW Electric Bolt Locks are electric bolt suitable for glass door, wooden door, metal door . We supply integrity equipment to collocate with glass door, swing-in door and so on. Build-in Photo electricity control and low temperature design. The operating principle of Electric Bolt Lock is that the electric power turns into magnetic force. Electric Bolt Lock has two working modes:  
one of the mode is door locked when power off.  
The another modes is door locked when power on.



## ► Product Pictures:



1. kapının her türlü Uygun
2. Düşük güç, çevre koruma
3. Zaman gecikmesi işlevi: 0/3/6 / 9sn

Voltaj	12VDC ±% 15
Akımı başlatmak	1200mA
Bekleme akımı	120mA
Tutma kuvveti	1000kg
İçin uygun	Ahşap kapı, Cam kapı, Metal kapı
İndüksiyon mesafesi	≥10mm
Çalışma sıcaklığı	-20 ~ 55 ° C (14 ~ 131F)
Çalışma Nemi	% 0 ~ 90 (yoğunlaşmayan)
Kilit ağırlığı	1.2kg

# ► Production Process

Drilling Armature



Removing The Glue



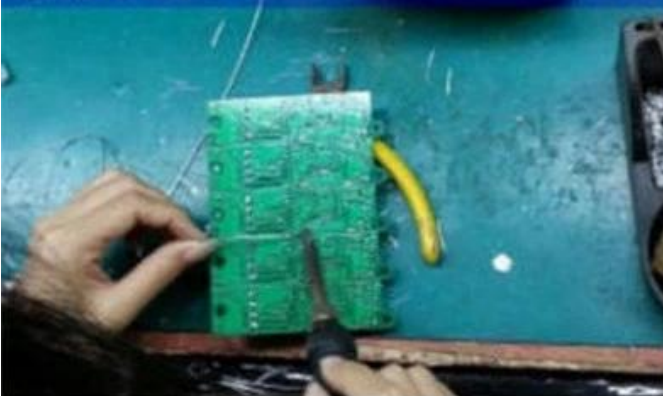
Lock Surface



Assembling



PCB Test



Aluminum Housing Cutting



Pouring Glue

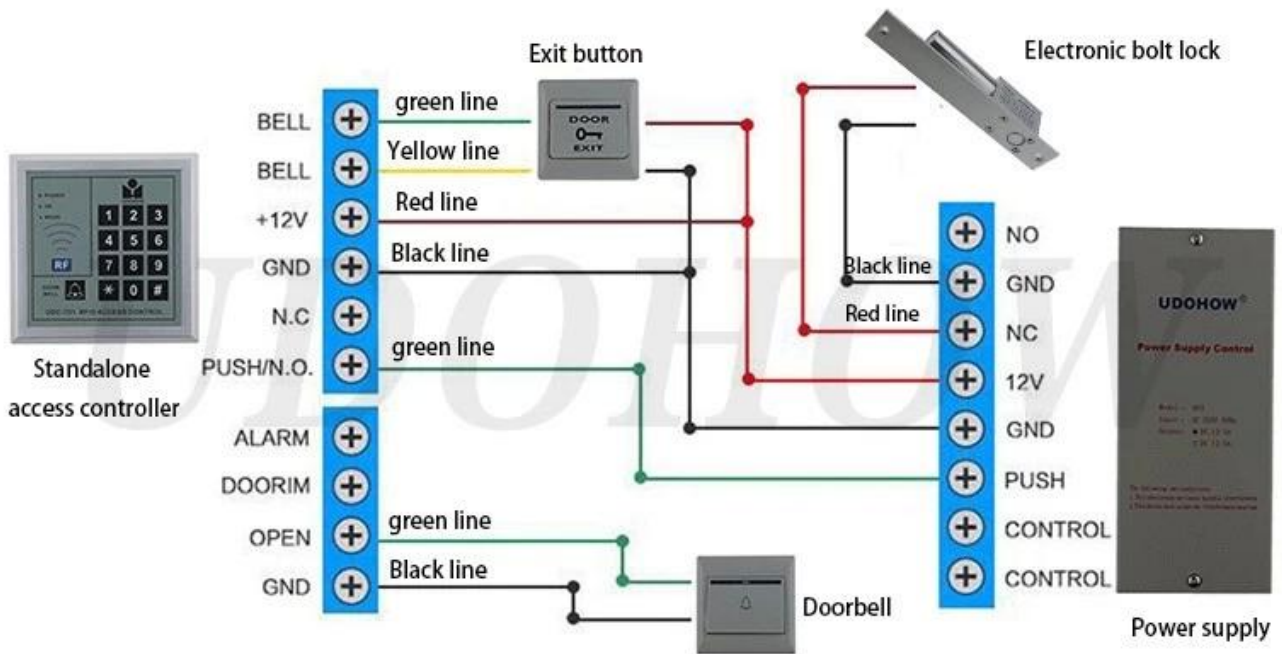


Drilling Of Panel

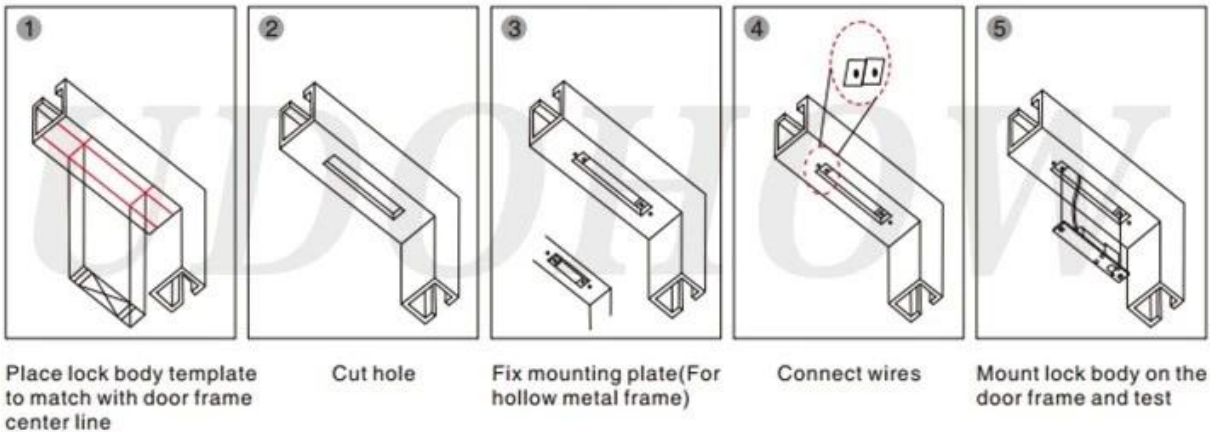




# ► Installation



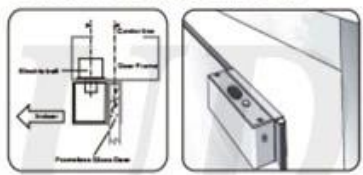
## Installation



## Installation Schematic

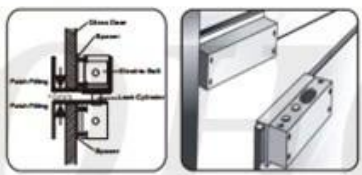
### Frameless Glass Door

Suitable for 10-15mm glass door, BBK-600/601/602 for Frameless Glass Door.



### Fully Frameless Glass Door

BBK-700 for Fully Frameless Glass Door



### Aluminium Bracket for Narrow Door

BBK-500 for Narrow Door



# ▶ About us



**UDOHOW 鼎昊**

Our company is a high-tech enterprise. We have been specialized in the R&D, production and marketing of Access Control Products. Products include Hotel Locks, Fingerprint Locks, Keypad Locks, Electromagnetic Locks, Electric Locks, Electric Bolt Locks, Power Supplies for Access Control, Access Controllers, Access Control Boards, Access Readers, RFID Cards, Exit Buttons and Switches, Time Attendance Access Controls, Door Closers, Fingerprint Access Controllers, and Cabinet Locks.



UDOHOW

UDOHOW



UDOHOW

UDOHOW

**Products have Certification of CE, ROHS, FCC. From the lock - lock body - electronic board, UDOHOW masters the international advanced system lock technology and has a high quality assurance.**



The company Upholds the business philosophy of "Endless innovation, good faith forever", Because of the high quality of service, we have won the trust and support of our business friends. Our products are exported to the United States, France, Spain, Russia, Singapore, Thailand, Turkey, Holland and other countries.

