

## UDOHOW Suporte de montagem em estilo U para trava eletromagnética 280KG

Introdução ao produto

Suporte em forma de U para trava eletromagnética

Modelo: DH-280U

Apropriado para: porta de madeira, porta à prova de fogo

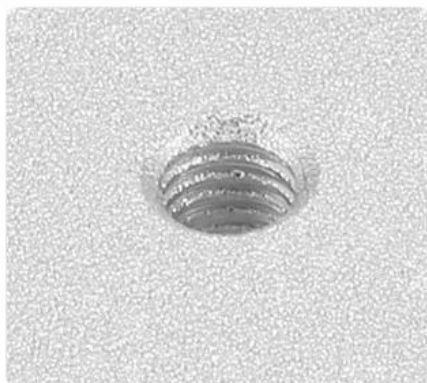
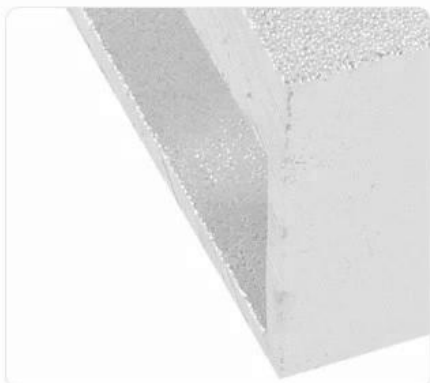
DH-280U use para fechadura eletromagnética de porta única (600LBS)

DH-180U use para fechadura eletromagnética de porta única (300LBS)

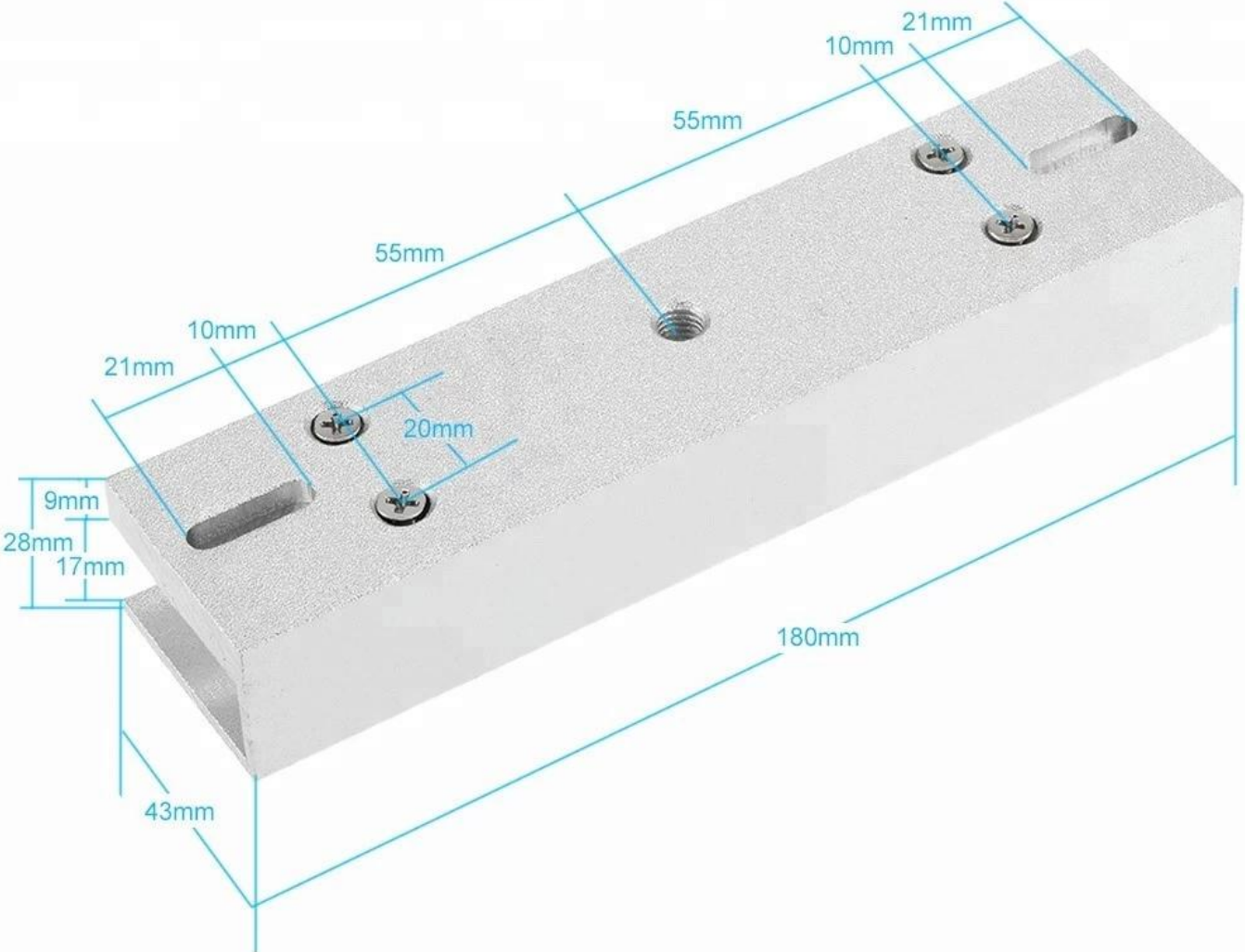
### **U Style Magnetic Lock Bracket for 280KG 600lbs Electric Magnetic Lock**

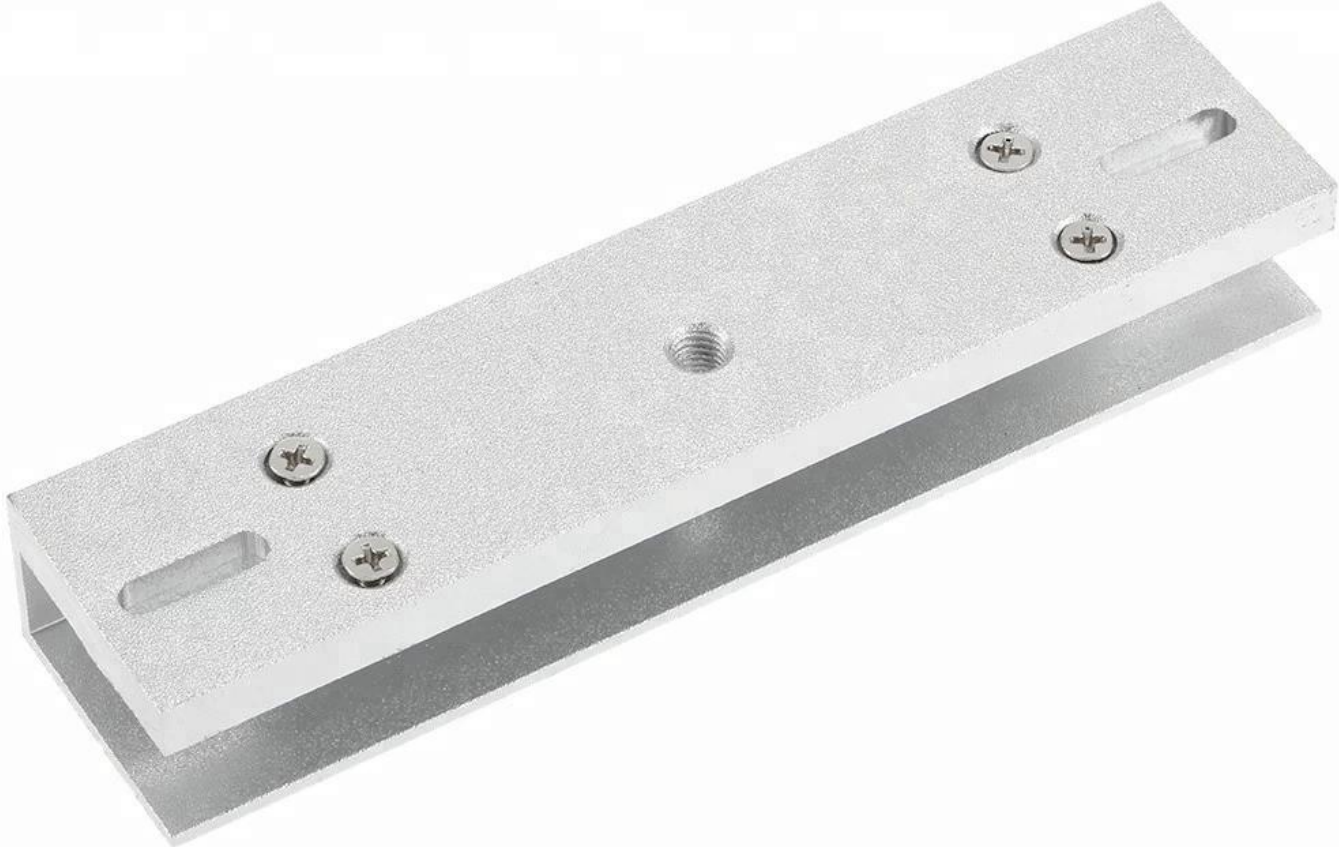
Aluminum Sandblast Material

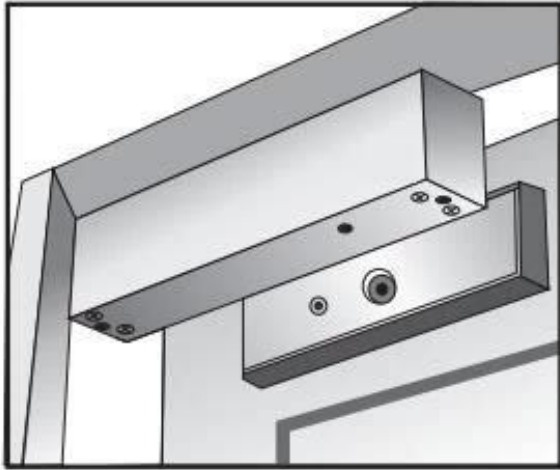
Suitable For Frameless Glass Door



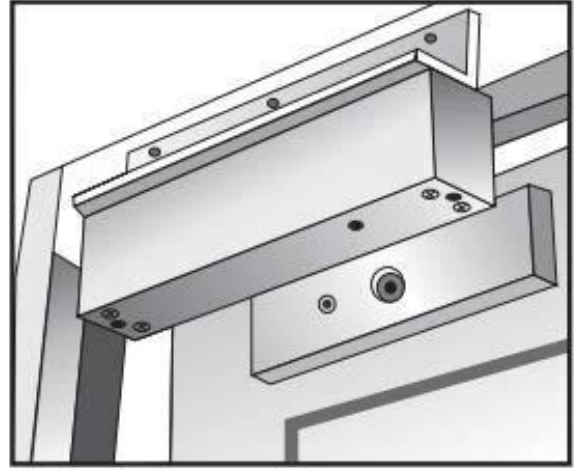
# Aluminium Alloy U-bracket for 280KG 600lbs Electric Magnetic Lock



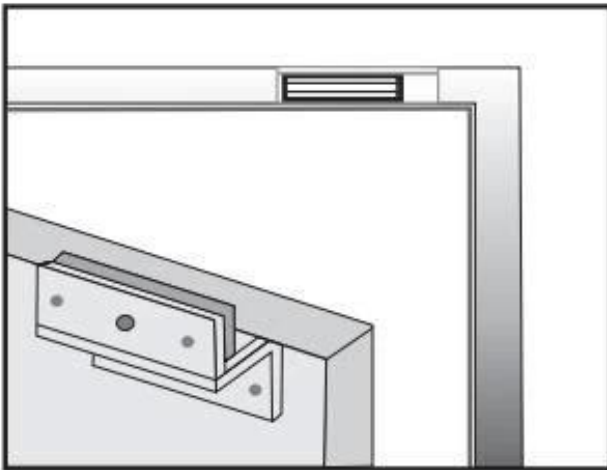




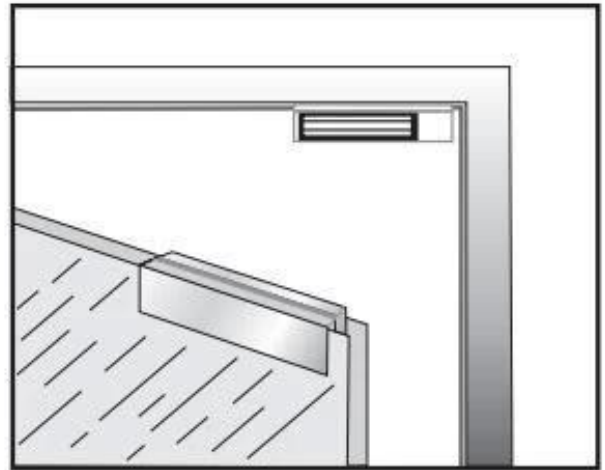
Armature Plate



L BRACKET



ZL BRACKET



U BRACKET



# ► Optional Accessories



## UDOHOW Magnetic lock Series

Holding Force : 180kg/375lbs		
DH-180G	DH-180A	DH-180GS
		
Holding Force : 280kgs/600lbs		
DH-280G	DH-280A	DH-280GS
		
Holding Force : 350kgs/750lbs		
DH-350G	DH-350A	DH-350GS
		
Holding Force:60KG/100lbs		Holding Force : 500kg/1200lbs
DH-60G		DH-500G
		

# Nosso companhia

## ABOUT US COMPANY INTRODUCTION

UDOHOW Electronics Co., Limited is a high-tech enterprise located in Guangdong Province, China. We're one of the leading manufacturers specialized in Intelligent Locks and Access Control Products including: Hotel Locks, Fingerprint Locks, Keypad Locks, Cabinets Locks, Electric Locks, Exit Switches and other related security access control products.

Our products have received good comments and trust of customers by superior quality, advanced innovation and considerate service.

[+ View More](#)



## FACTORY / WORKSHOP / EXHIBITION



# Nosso certificados

## OUR CERTIFICATE



# Contate-Nos

**CONTACT US**



**Sincerely for your service**

**You are welcome to come to consult**

**Contact:** Winnie Liang

**Cellphone/Wechat/Whatsapp:** +86 13602510930

**Skype:** udohow1

**Email:** info@udohow.com

**Web:** www.udohow.com

**Click Back Home**