

12V Electric Dead Bolt Door Lock DH150.3

DH-150.3NONC

Electronic bolt lock

UDOHOW Electric Bolt Locks are electric bolt suitable for glass door, wooden door, metal door . We supply integrity equipment to collocate with glass door, swing-in door and so on. Build-in Photo electricity control and low temperature design. The operating principle of Electric Bolt Lock is that the electric power turns into magnetic force. Electric Bolt Lock has two working modes:
one of the mode is door locked when power off.
The another modes is door locked when power on.



► Product Pictures:



1. Suitable for all kind of the door
2. With low power, environmental protection
3. Time delay function: 0/3/6/9sec

Voltage	12VDC±15%
Start current	1200mA
Standby current	120mA
Holding force	1000kg
Suitable for	Wooden door, Glass door, Metal door
Induction distance	≥10mm
Operating temp	-20~+55°C(14~131F)
Operating humidity	0~90%(non-condensing)
Lock Weight	1.2kg

► Production Process

Drilling Armature



Removing The Glue



Lock Surface



Assembling



PCB Test



Aluminum Housing Cutting



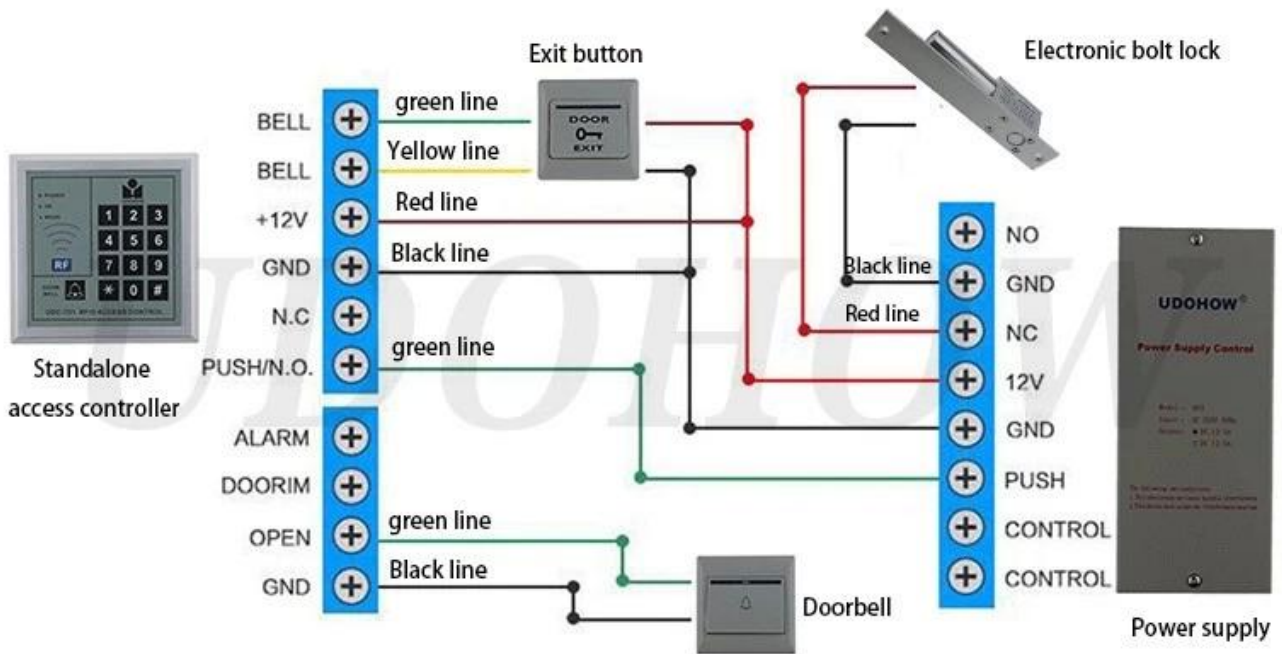
Pouring Glue



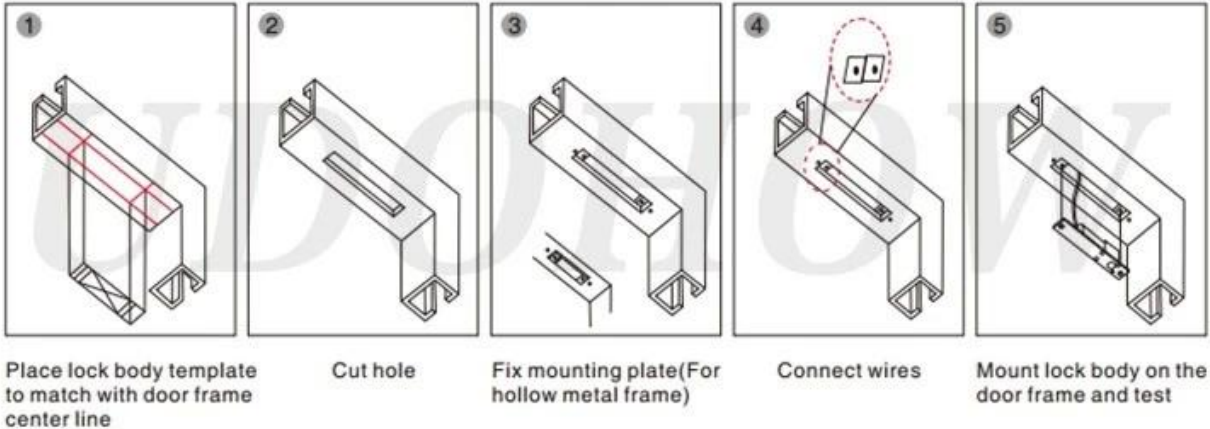
Drilling Of Panel



► Installation



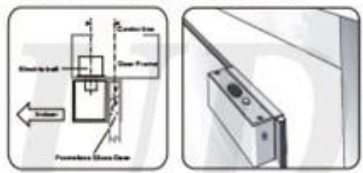
Installation



Installation Schematic

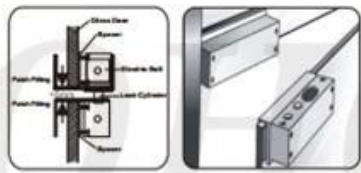
Frameless Glass Door

Suitable for 10-15mm glass door, BBK-600/601/602 for Frameless Glass Door.



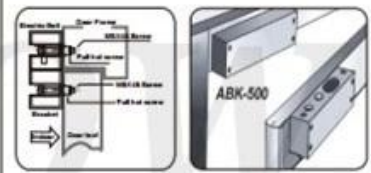
Fully Frameless Glass Door

BBK-700 for Fully Frameless Glass Door



Aluminium Bracket for Narrow Door

BBK-500 for Narrow Door



▶ About us



UDOHOW 鼎昊

Our company is a high-tech enterprise. We have been specialized in the R&D, production and marketing of Access Control Products. Products include Hotel Locks, Fingerprint Locks, Keypad Locks, Electromagnetic Locks, Electric Locks, Electric Bolt Locks, Power Supplies for Access Control, Access Controllers, Access Control Boards, Access Readers, RFID Cards, Exit Buttons and Switches, Time Attendance Access Controls, Door Closers, Fingerprint Access Controllers, and Cabinet Locks.



UDOHOW

UDOHOW



UDOHOW

UDOHOW

Products have Certification of CE, ROHS, FCC. From the lock - lock body - electronic board, UDOHOW masters the international advanced system lock technology and has a high quality assurance.



The company Upholds the business philosophy of "Endless innovation, good faith forever", Because of the high quality of service, we have won the trust and support of our business friends. Our products are exported to the United States, France, Spain, Russia, Singapore, Thailand, Turkey, Holland and other countries.

