

180kg280kg ZL [DH-280ZL / DH-180ZL](#)

180kg

280kg ZL

DH-280ZL / DH-180ZL

180kg

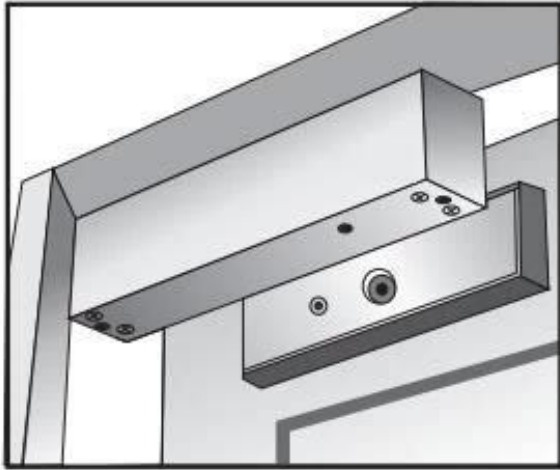
DH-280ZL 600LBS

DH-180ZL 300LBS

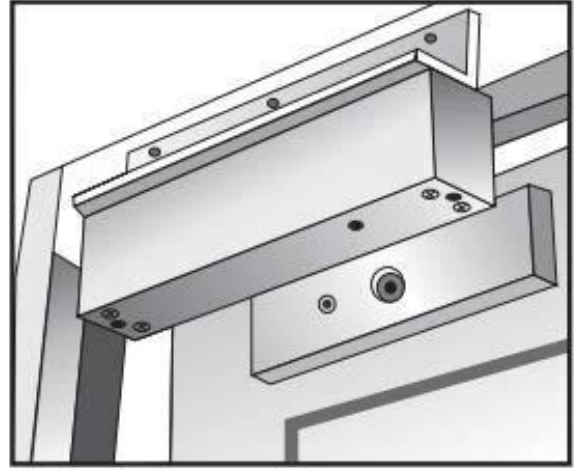




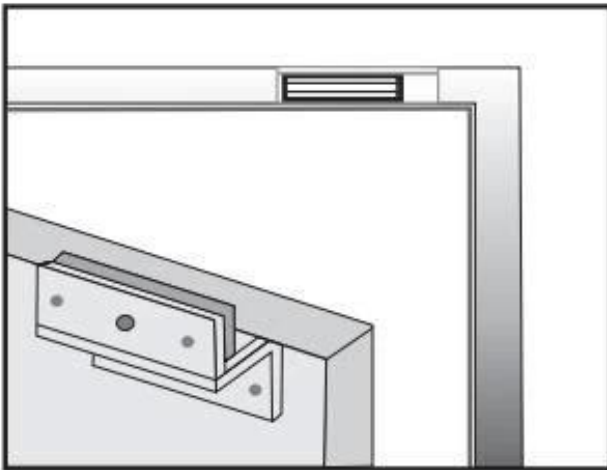




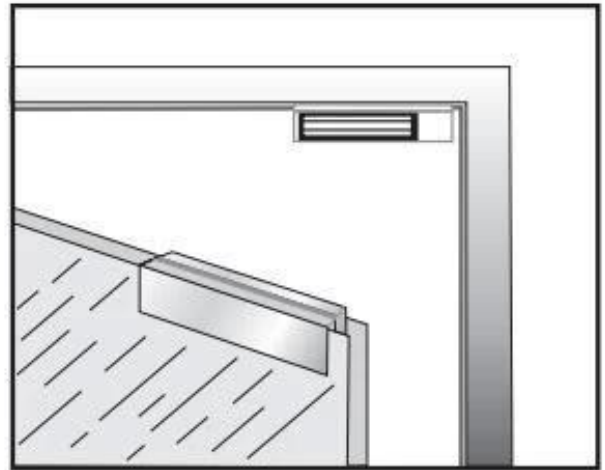
Armature Plate



L BRACKET

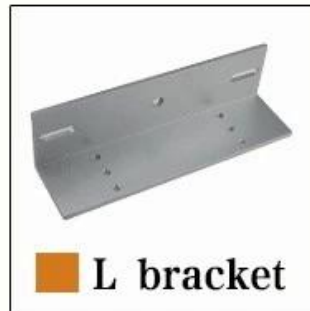


ZL BRACKET



U BRACKET

► Optional Accessories



UDOHOW Magnetic lock Series

| Holding Force : 180kg/375lbs | | |
|---|---|---|
| DH-180G | DH-180A | DH-180GS |
|  |  |  |
| Holding Force : 280kgs/600lbs | | |
| DH-280G | DH-280A | DH-280GS |
|  |  |  |
| Holding Force : 350kgs/750lbs | | |
| DH-350G | DH-350A | DH-350GS |
|  |  |  |
| Holding Force:60KG/100lbs | | Holding Force : 500kg/1200lbs |
| DH-60G | | DH-500G |
|  | |  |



ABOUT US

COMPANY INTRODUCTION

UDOHOW Electronics Co., Limited is a high-tech enterprise located in Guangdong Province, China. We're one of the leading manufacturers specialized in Intelligent Locks and Access Control Products including: Hotel Locks, Fingerprint Locks, Keypad Locks, Cabinets Locks, Electric Locks, Exit Switches and other related security access control products.

Our products have received good comments and trust of customers by superior quality, advanced innovation and considerate service.

[+ View More](#)



FACTORY / WORKSHOP / EXHIBITION



OUR CERTIFICATE



CONTACT US



Sincerely for your service

You are welcome to come to consult

Contact: Winnie Liang

Cellphone/Wechat/Whatsapp: +86 13602510930

Skype: udohow1

Email: info@udohow.com

Web: www.udohow.com

Click Back Home