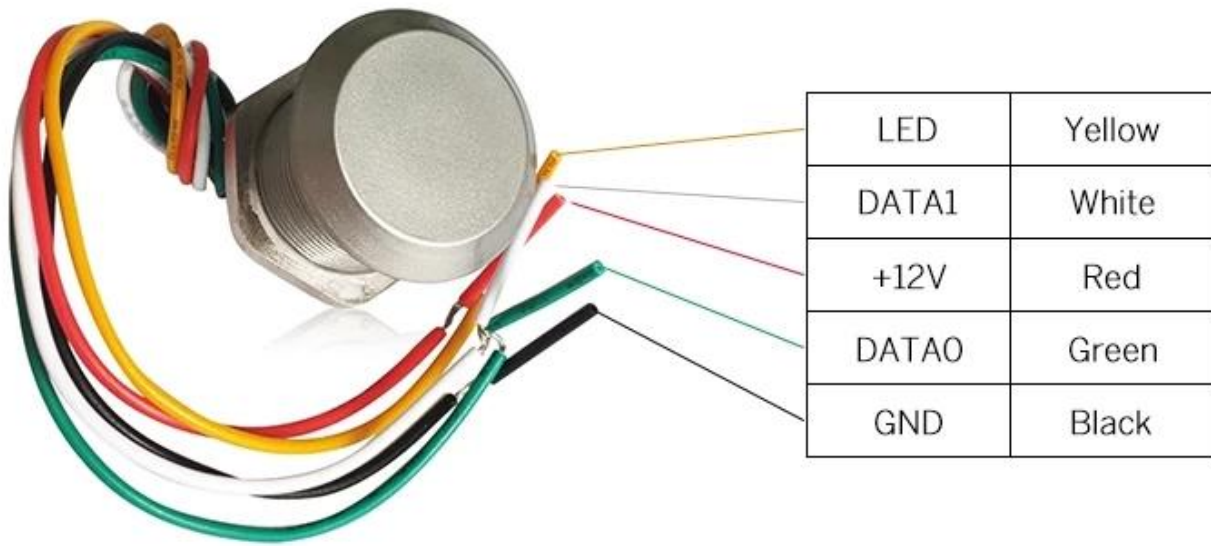
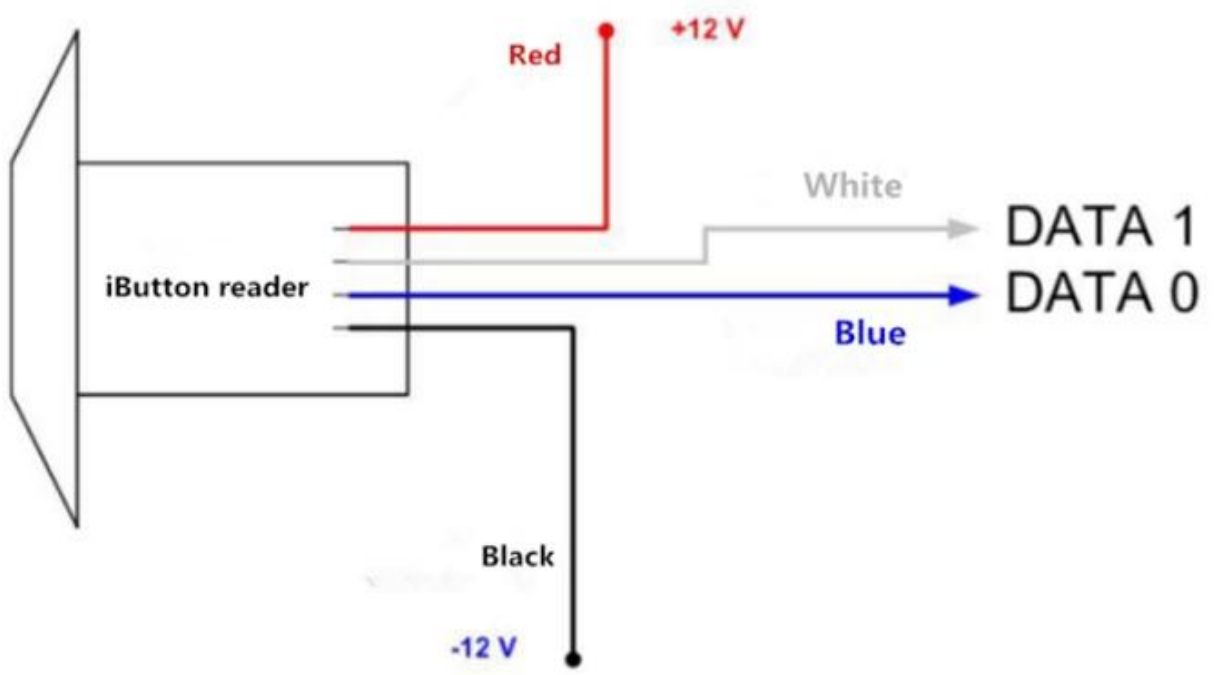
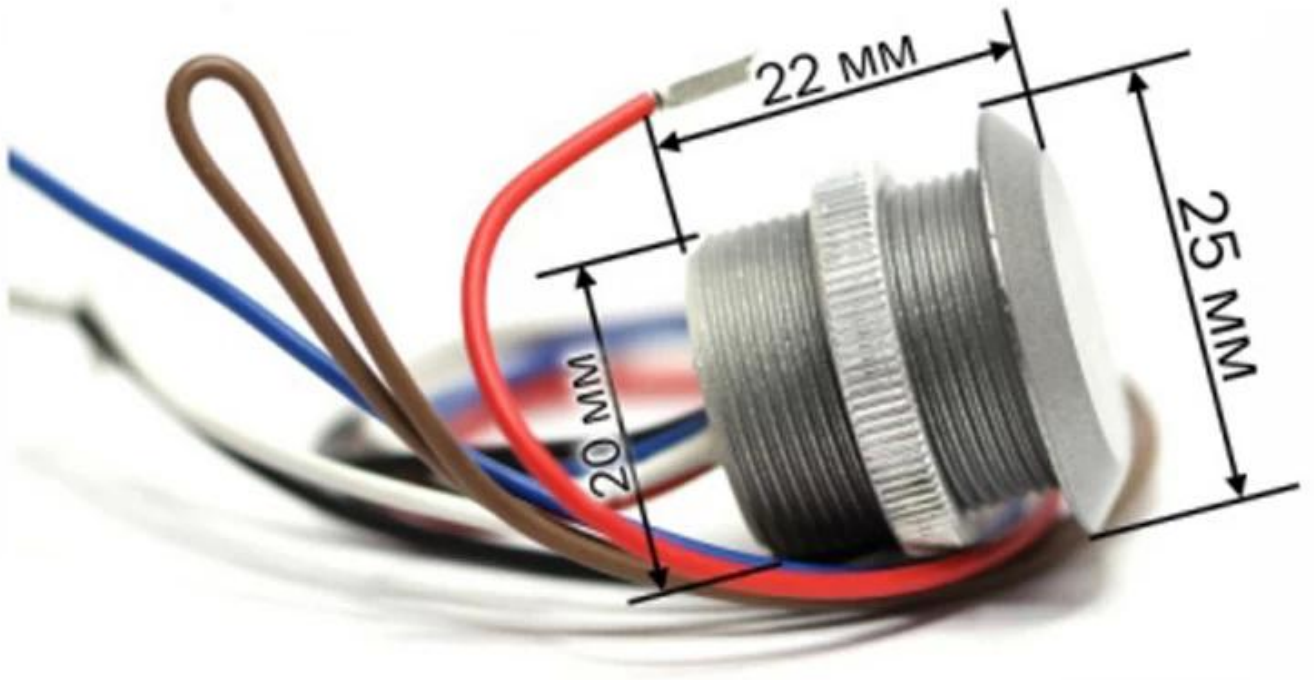


□□□□□□□□	□□
□□□□□□□□	□□
□□□□□□□□	□□□□□□□□□□□□□□
□□□□□MA□	35mA.
□□□□□	1×□□LED
LED□□□□□□□□□□	□□
□□□□□°C□	-30 ... + 40
□□□□□□	□□□□□
□□□mm□	D45 x 25

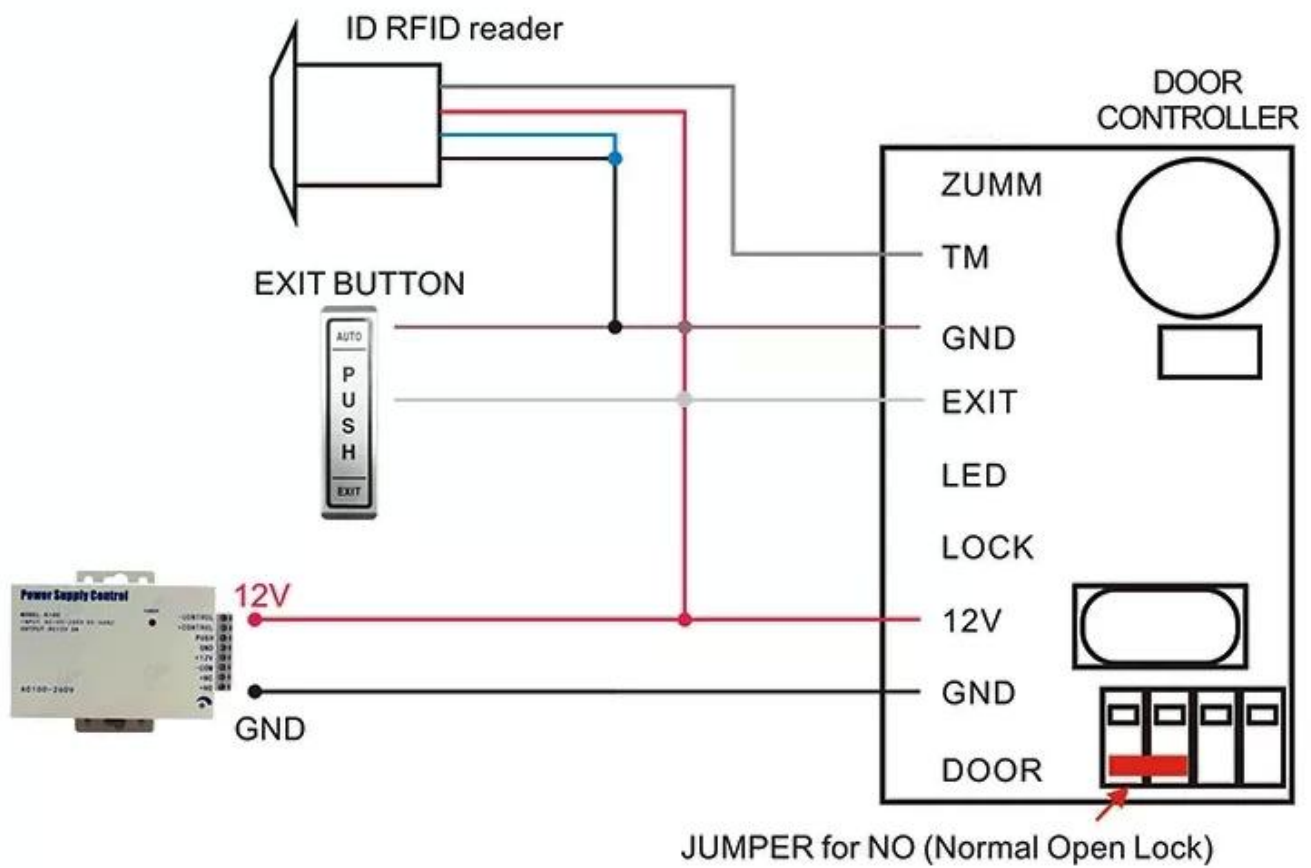




LED	Yellow
DATA1	White
+12V	Red
DATA0	Green
GND	Black



Wiegand 26



Udohow 20 Smart Locks Access Controller



Sincerely for your service

You are welcome to come to consult

Contact: Yimo Yang
 Cellphone/Wechat/Whatsapp: +86 13612936220
 Skype: udohow3
 Email: udohow1@udohow.com
 Web: www.udohow.com

HOME