



Semiconductor
Fingerprint



Indicator Light
Reminder



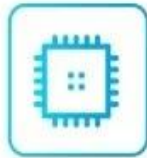
Swap left
and right



Normally
open mode



One touch
unlock



Microsecond
Chip



Low Battery
Alarm



Key Unlock

□□□□□□□□

□□ □□	□□□ □□□□□□□□□□
□□□□	Udohow.
□□□	DH-K130
□□□□ □	□□□
□□	□□ □□
□□□	145mm×60mm×65mm
□□□□	□□□/□□□□□/□□□□/□□□□□
□□ □□□	□□/□□□□□□ □□□□□/□□
□□ □□	35mm-120mm

□□□□ □	□□+□□+ Bluetooth □□□□□□□□
□□□	ttlock□□□□□□□□
□□ □□	30.
□□	2.
□ □□	4 AAA□□
□□ □□□□□□	□□□USB.
□□□ □□□□□	□ □□5VDC
□□ □□□□□□□□	4.8V

Normally open mode

Offices and other frequently-entry places can be set to normally open mode



Invisible keyhole

Keep the traditional way of unlocking



USB charging port

With backup USB port for emergency charging

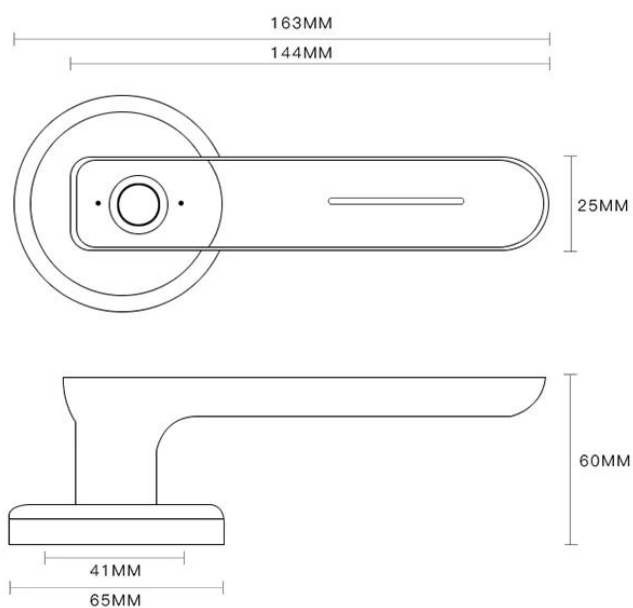


Power Supply

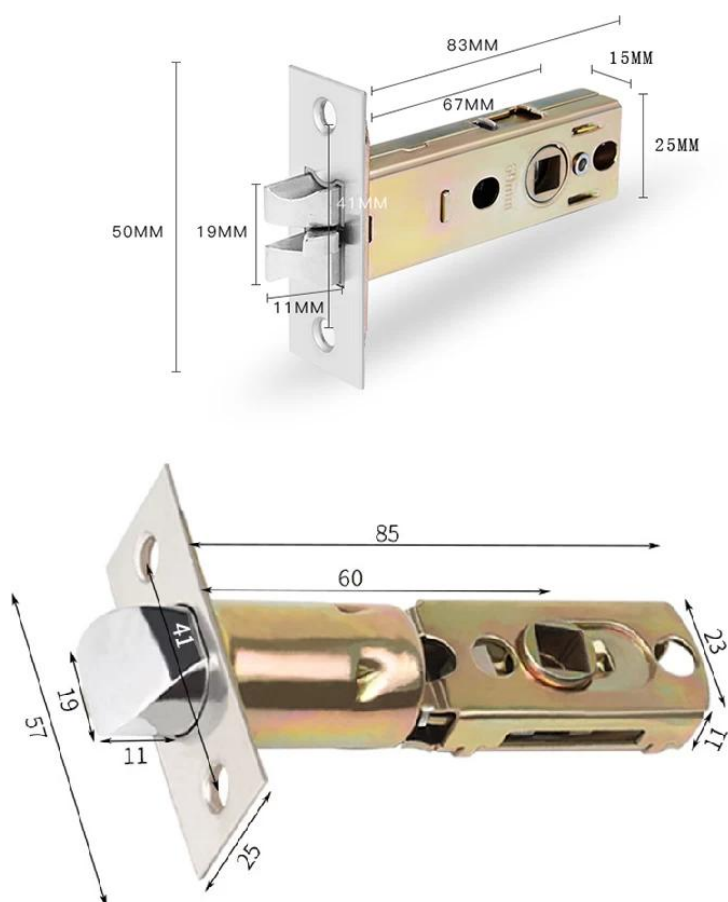
4xAAA(7 alkaline) batteries,6 months & 180000 times using



specifications



Lock body size



The center distance can be adjusted to 70mm