

DH-210BL Bluetooth 1 Tuya Smart App American Standard Single Latch



# TUYASMART APP LEVER DOOR LOCK



# IDLING DOOR LOCK HANDLE DESIGN

ZINC ALLOY BODY AND STRONG HANDLE DESIGN  
PREVENTS FORCIBLE ENTRY



□□□

□□□□□□□□-□□□□□□□□□□□□□□Bluetooth□PIN□□□□□□□□□□□□□□3□□□□□□□□□□□□

□□□□□□□□-□□□

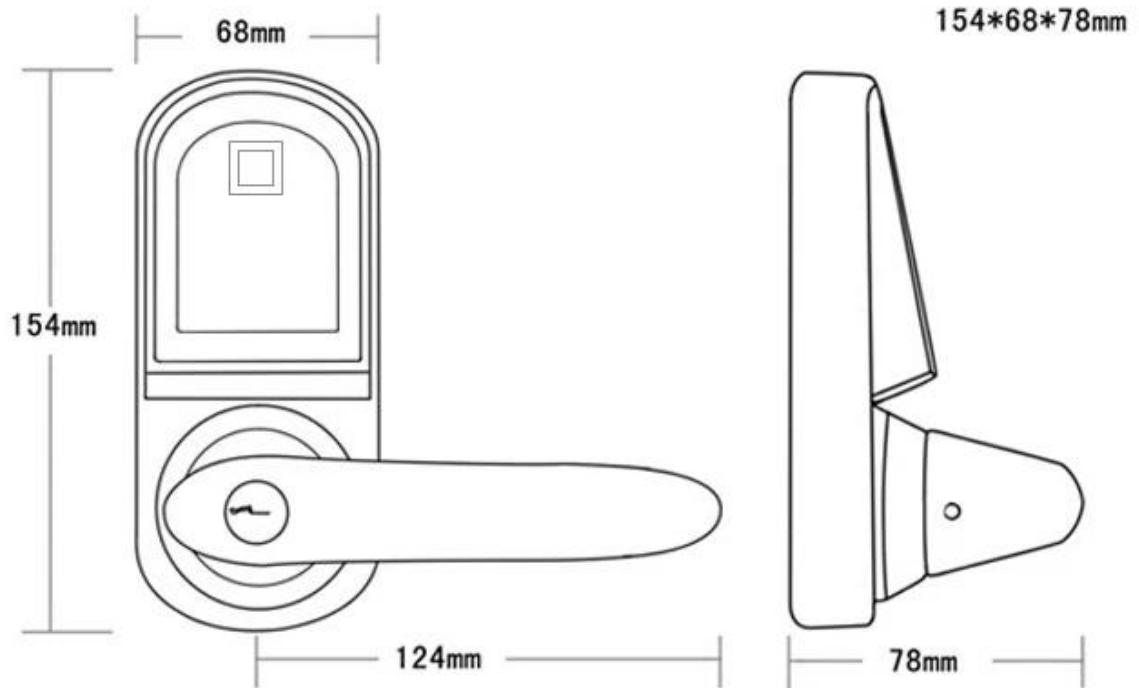
□□□□□□□□-□□□

□□□□□□□□□□□□□□-9V□□□

□□□□□□□□□□-60mm / 70mm□□□

□□□□□□□□□□-60mm / 70mm□□□

# PRODUCT SIZE



□□□□□□

□□□	Bluetooth□□□□□□□□□□
□□□□□	DH-210BL
□□□□□□□	Bluetooth□□□□□□□□□□□□□□□□
□□	□□□□
□□□	154mm * 68mm * 78mm
□□	□□□□□□□□□□□□Airbnb□□□□□□□□□□
□□□□□□□□□□□	38mm□48mm
□□□□□□	4□□□□□□□□□□
□□□□□□□	5,000□□□□□□□□□□□□□□□□□□□□
□□□□	4.8V-6.5V DC
□□□□□	4.8V□□
□□□□ □□	30uA□□
□□□□□□□□□□ □□	200mA□□
□□□□	-20°C□70°C
□□□□	10□□80□

**CONTACT US**



## **Sincerely for your service**

**You are welcome to come to consult**

---

**Contact:** Yimo Yang

**Cellphone/Wechat/Whatsapp:** +86 13612936220

**Skype:** udohow3

**Email:** [udohow1@udohow.com](mailto:udohow1@udohow.com)

**Web:** [www.udohow.com](http://www.udohow.com)

**HOME**