



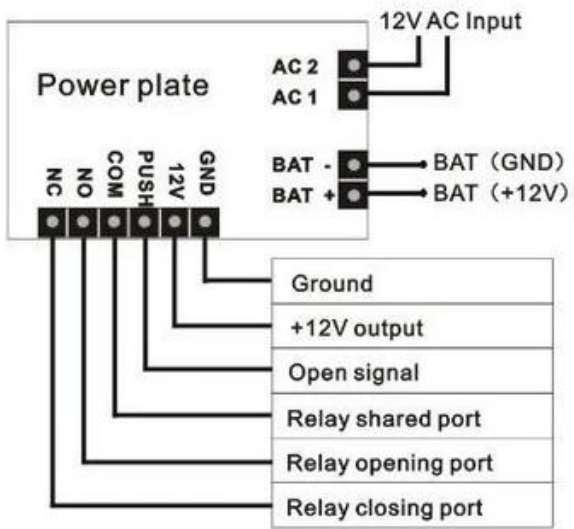


Power Supply

Input: AC 220V/50Hz
Output: DC 12V

The following two conditions:
1. This device may not cause harmful interference
2. This device must accept any interference received

Implicit batteries



Don't implicit batteries

