

## ZL Bracket per 180kg 280kg elettrico [serratura magnetica](#)

introduzione al prodotto

Staffa sagomata ZL per serratura elettromagnetica

Modello: DH-280ZL / DH-180ZL

Adatto per: porta in legno, porta tagliafuoco

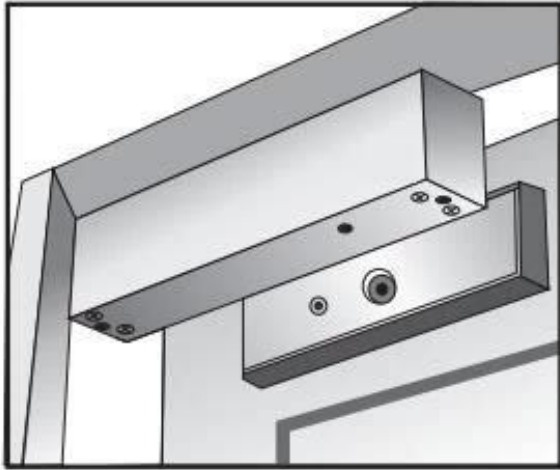
DH-280ZL utilizzare per serratura elettromagnetica a porta singola (600LBS)

DH-180ZL utilizzare per serratura elettromagnetica a porta singola (300LBS)

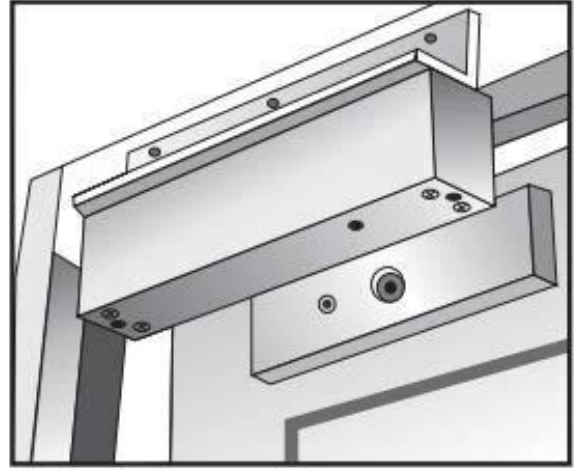




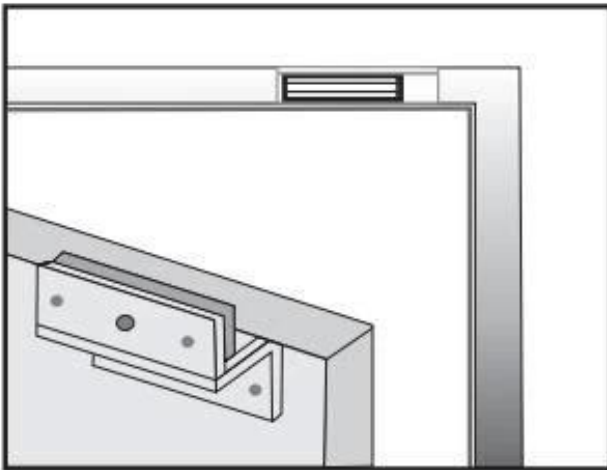




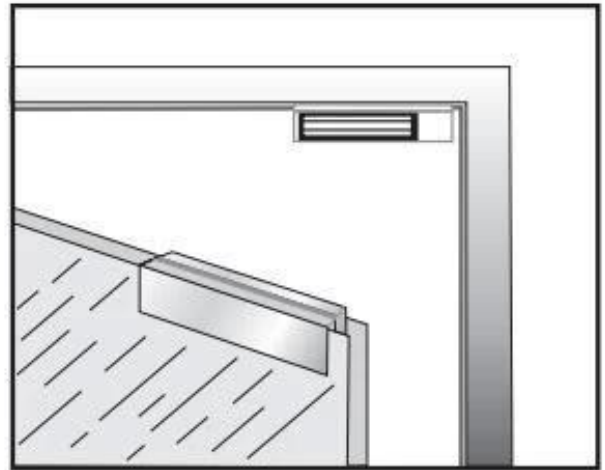
Armature Plate



L BRACKET

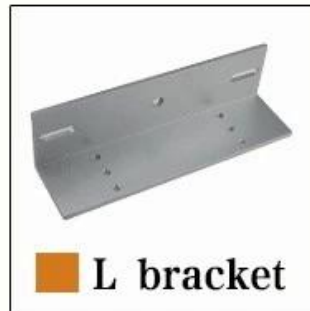


ZL BRACKET



U BRACKET

# ► Optional Accessories



## UDOHOW Magnetic lock Series

Holding Force : 180kg/375lbs		
DH-180G	DH-180A	DH-180GS
		
Holding Force : 280kgs/600lbs		
DH-280G	DH-280A	DH-280GS
		
Holding Force : 350kgs/750lbs		
DH-350G	DH-350A	DH-350GS
		
Holding Force:60KG/100lbs		Holding Force : 500kg/1200lbs
DH-60G		DH-500G
		



# Nostroazienda

## ABOUT US COMPANY INTRODUCTION

UDOHOW Electronics Co., Limited is a high-tech enterprise located in Guangdong Province, China. We're one of the leading manufacturers specialized in Intelligent Locks and Access Control Products including: Hotel Locks, Fingerprint Locks, Keypad Locks, Cabinets Locks, Electric Locks, Exit Switches and other related security access control products.

Our products have received good comments and trust of customers by superior quality, advanced innovation and considerate service.

[+ View More](#)



## FACTORY / WORKSHOP / EXHIBITION



## Nostrocertificati

### OUR CERTIFICATE



## Contattaci

**CONTACT US**



## **Sincerely for your service**

**You are welcome to come to consult**

**Contact:** Winnie Liang

**Cellphone/Wechat/Whatsapp:** +86 13602510930

**Skype:** udohow1

**Email:** info@udohow.com

**Web:** www.udohow.com

**Click Back Home**