

# UDOHOW U Style Mounting Bracket for 280KG Electromagnetic Lock

## Product Introduction

U shape bracket for electromagnetic lock

Model : DH-280U

Suitable for: wooden door, fireproof door

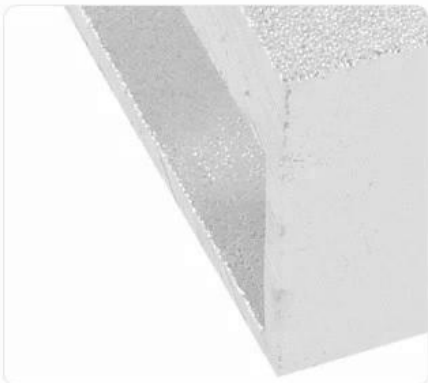
DH-280U use for single door electromagnetic lock (600LBS)

DH-180U use for single door electromagnetic lock (300LBS)

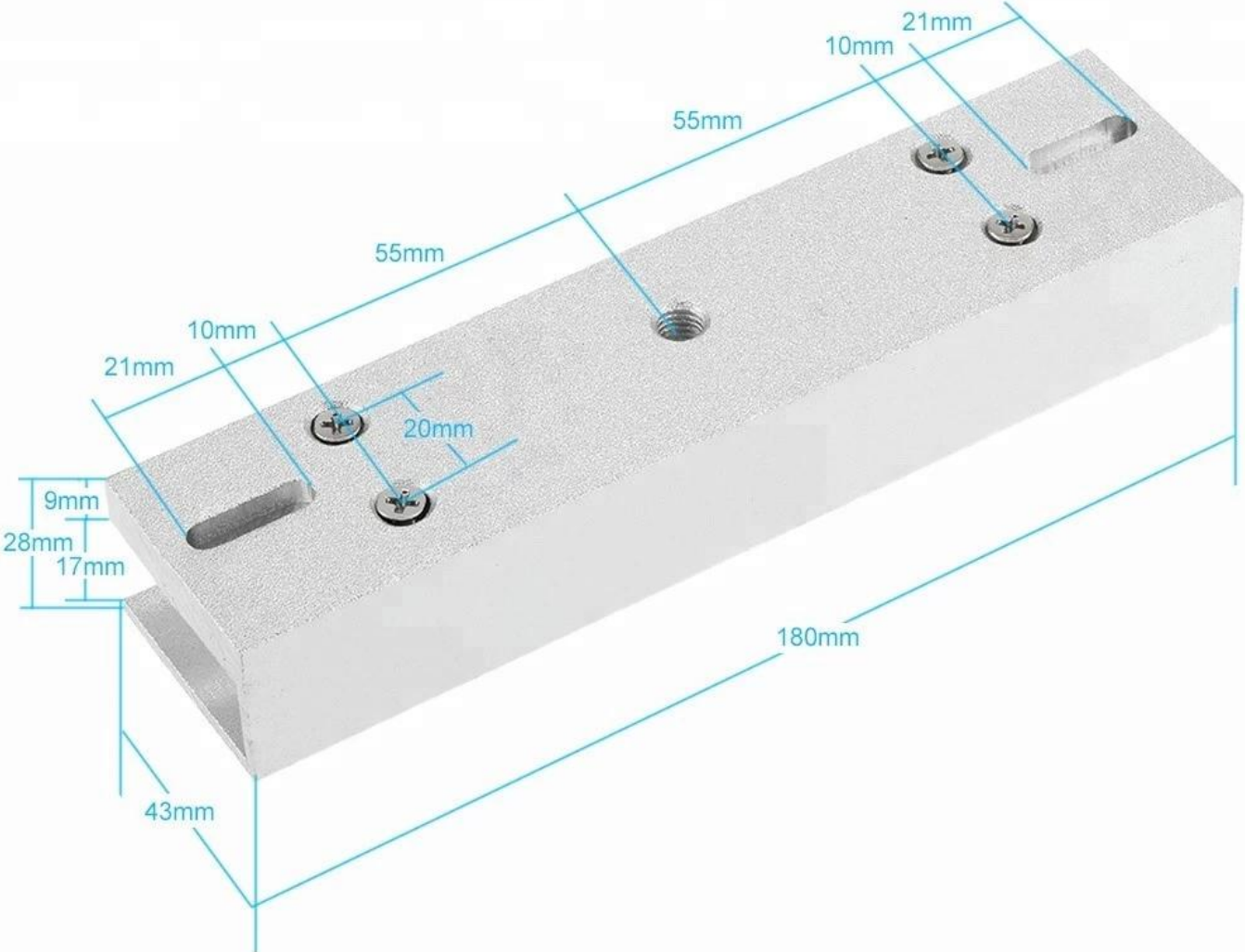
## U Style Magnetic Lock Bracket for 280KG 600lbs Electric Magnetic Lock

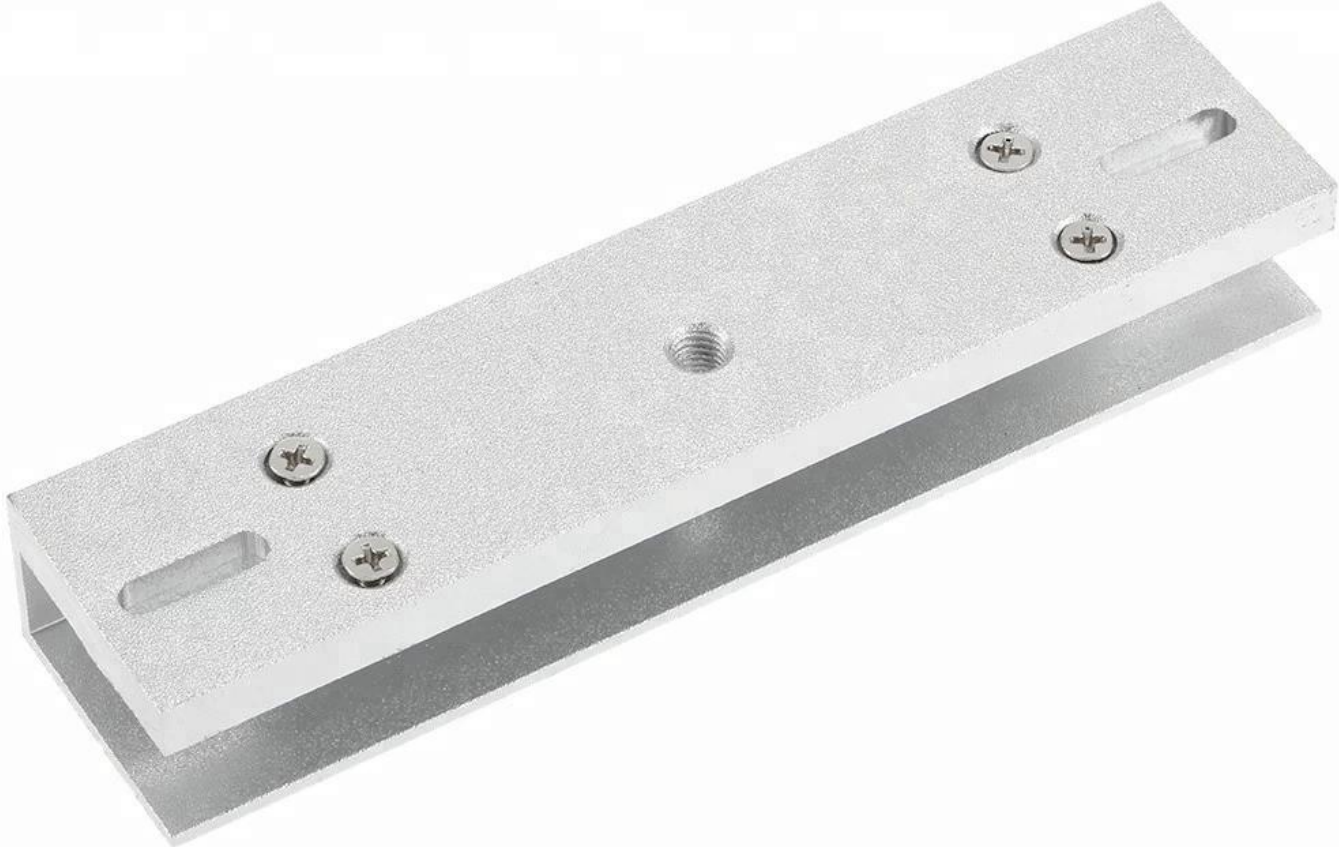
Aluminum Sandblast Material

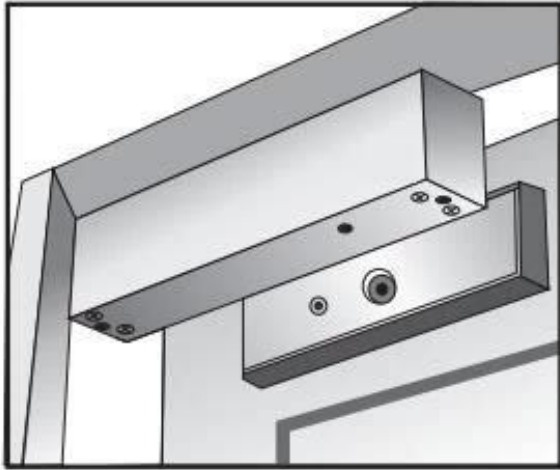
Suitable For Frameless Glass Door



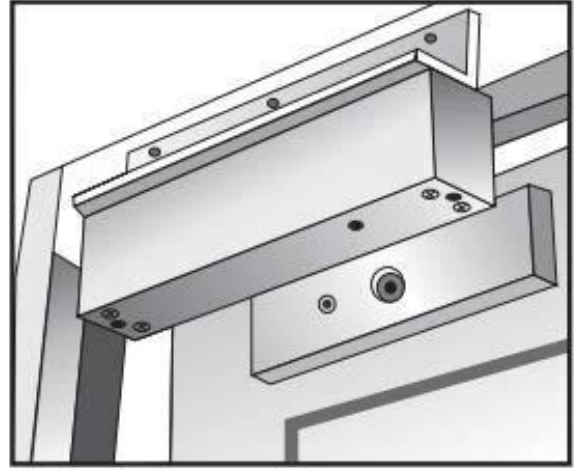
# Aluminium Alloy U-bracket for 280KG 600lbs Electric Magnetic Lock



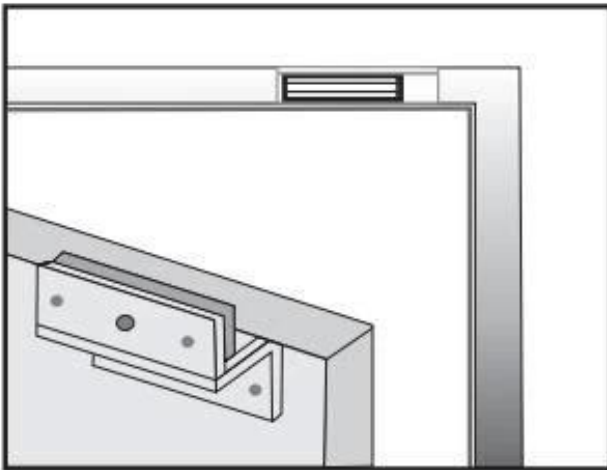




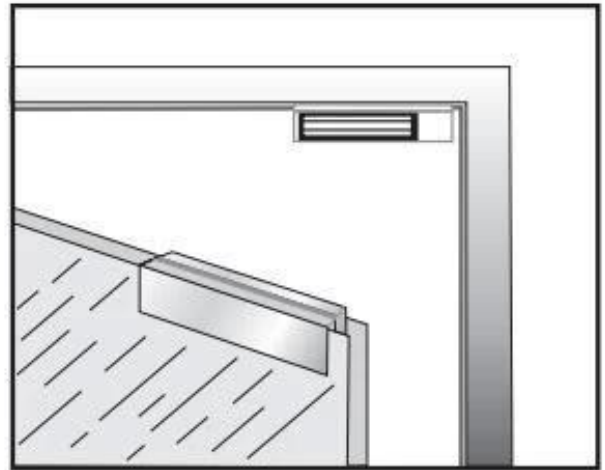
Armature Plate



L BRACKET



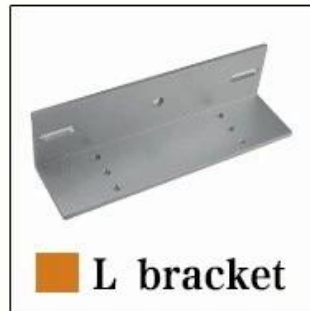
ZL BRACKET



U BRACKET



# ► Optional Accessories



## UDOHOW Magnetic lock Series

<b>Holding Force : 180kg/375lbs</b>		
<b>DH-180G</b>	<b>DH-180A</b>	<b>DH-180GS</b>
		
<b>Holding Force : 280kgs/600lbs</b>		
<b>DH-280G</b>	<b>DH-280A</b>	<b>DH-280GS</b>
		
<b>Holding Force : 350kgs/750lbs</b>		
<b>DH-350G</b>	<b>DH-350A</b>	<b>DH-350GS</b>
		
<b>Holding Force:60KG/100lbs</b>		<b>Holding Force : 500kg/1200lbs</b>
<b>DH-60G</b>		<b>DH-500G</b>
		

# Our company

## ABOUT US COMPANY INTRODUCTION

UDOHOW Electronics Co., Limited is a high-tech enterprise located in Guangdong Province, China. We're one of the leading manufacturers specialized in Intelligent Locks and Access Control Products including: Hotel Locks, Fingerprint Locks, Keypad Locks, Cabinets Locks, Electric Locks, Exit Switches and other related security access control products.

Our products have received good comments and trust of customers by superior quality, advanced innovation and considerate service.

[+ View More](#)



## FACTORY / WORKSHOP / EXHIBITION



# Our certificates

## OUR CERTIFICATE



# Contact us

**CONTACT US**



**Sincerely for your service**

**You are welcome to come to consult**

**Contact:** Winnie Liang

**Cellphone/Wechat/Whatsapp:** +86 13602510930

**Skype:** udohow1

**Email:** info@udohow.com

**Web:** www.udohow.com

**Click Back Home**