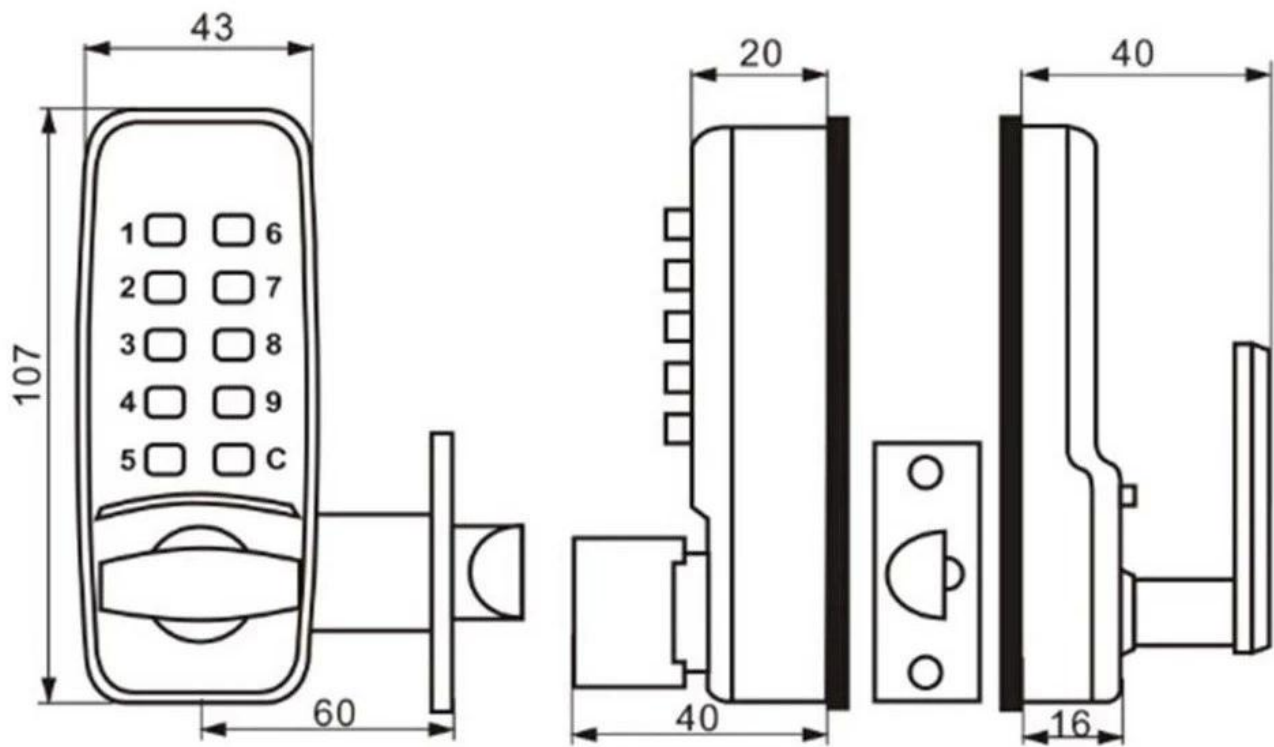


Instruction:

Mechanical Code Lock is a digital keypad lock without battery! It's made of zinc alloy finished with pearl chrome, latest design style! It works well, widely used in various flat door projects!







Features:

- Stylish, compact design - Keyless, Smart, High Security, Artistic.
- Durable zinc alloy plates and handle; Stainless steel internal fittings
- Easy to operate, needs no key or card, batteries not required.
- Install on right or left edge of the door
- Suitable for offices, classrooms, apartments, etc.
- Suitable for door between 35mm and 60mm thick.