

Model DH-K130 is touch semiconductor Fingerprint recognition Lock, its with Zinc alloy handle,Fingerprint module,zinc alloy material; 365days of strong anti-aircraft, and invisible keyhole.



[Biometric Door Lock](#) also called a biometric fingerprint door lock, is a smart door lock that is unlocked by fingerprint recognition. Fingerprint authentication is convenient, fast, and accurate.

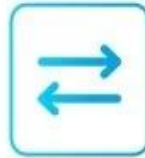
With the popularization of technology and smart home development, more and more people are beginning to choose fingerprint door biometric locks for homes, hotels, schools, and residential.



Semiconductor
Fingerprint



Indicator Light
Reminder



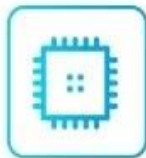
Swap left
and right



Normally
open mode



One touch
unlock



Microsecond
Chip



Low Battery
Alarm



Key Unlock

Product parameter

Product Name	Smart Deadbolt Lock
Brand	Udohow
Model	DH-K130
Available Color	Black/Silver
Material	Zinc Alloy
Size	145mm×60mm×65mm
Application	Home/Apartment/Hotel/Office
Door Type	Wood/Stainless Steel/Brass
Door Thickness	35mm-120mm

Unlock Way	Fingerprint+Key+Bluetooth (option))
APP	TTLock(option))
Fingerprint Capacity	30
Keys	2
Power Supply	4 AAA Batteries
Emergency power type:	Type-USB
External emergency power supply:	Power bank 5VDC
Low power alarm:	4.8V

Normally open mode

Offices and other frequently-entry places can be set to normally open mode



Invisible keyhole

Keep the traditional way of unlocking



USB charging port

With backup USB port for emergency charging



Power Supply

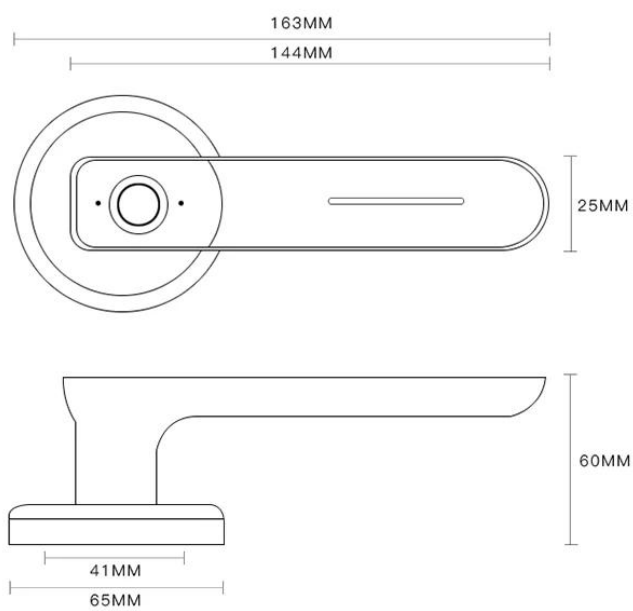
4xAAA(7 alkaline) batteries,6 months & 180000 times using



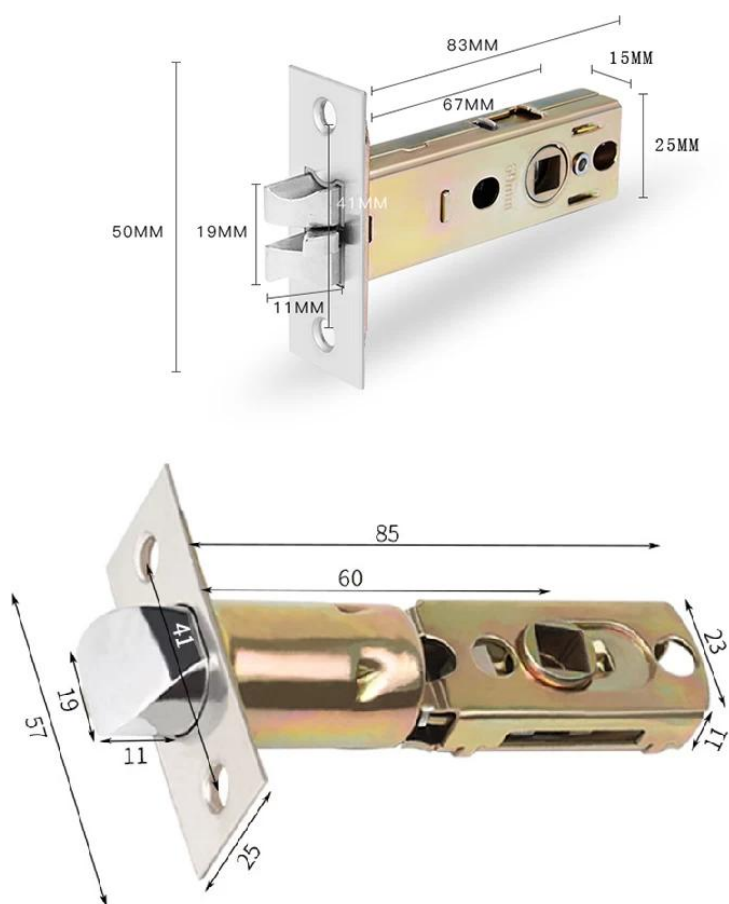
Characteristics

1. Unlocking method: fingerprint, mechanical key, smartphone app (optional)
2. You can use the remote control (optional).
3. Multiple unlocking mode strengths security degrees.
4. Add or delete users are managed by numbers.
5. The unlocking combination make the cabinet much safer.
6. It has the anti-peep function for the password.
7. Registration of unlock data to help manage unlocking situations.
8. All the components are famous international brands, quality is stable and reliable.
9. The cabinet had the treatment of waterproof, anti-humidity and anti-rust.
10. The product has exceeded the high / low temperature test, vibration and aging to adapt to all types of environment.

specifications



Lock body size



The center distance can be adjusted to 70mm