

DH-K130 365



365



Semiconductor  
Fingerprint



Indicator Light  
Reminder



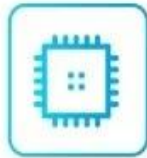
Swap left  
and right



Normally  
open mode



One touch  
unlock



Microsecond  
Chip



Low Battery  
Alarm



Key Unlock

□□□□

□□ □□	□□□ Deadbolt Lock.
□	udohow.
□□	DH-K130
□□□ □□	□□/□□
□□	□ □□
□□	145mm×60mm×65mm
□□	□□/□□/□□/□□□
□ □□	□□/□□□ □/□□
□ □□	35mm-120mm.

□□ □□□	□□+□+□□ □□□□□
□□□□	TTLOCK□□□□□
□□ □□	30.
□□	2
□□ □□	4. AAA□□
□□□□ □□□□□	□□USB.
□□□ □□□□□	□□ □□5VDC
□□ □□□□□	4.8V.



### Normally open mode

Offices and other frequently-entry places can be set to normally open mode



### Invisible keyhole

Keep the traditional way of unlocking



### USB charging port

With backup USB port for emergency charging



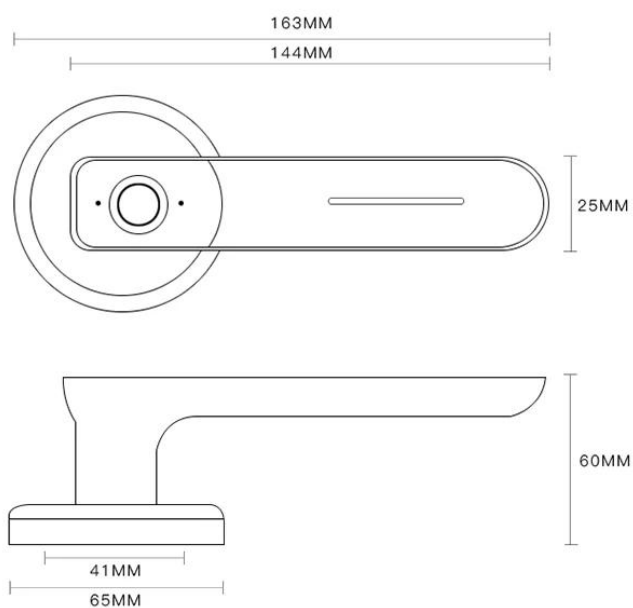
### Power Supply

4xAAA(7 alkaline) batteries,6 months & 180000 times using

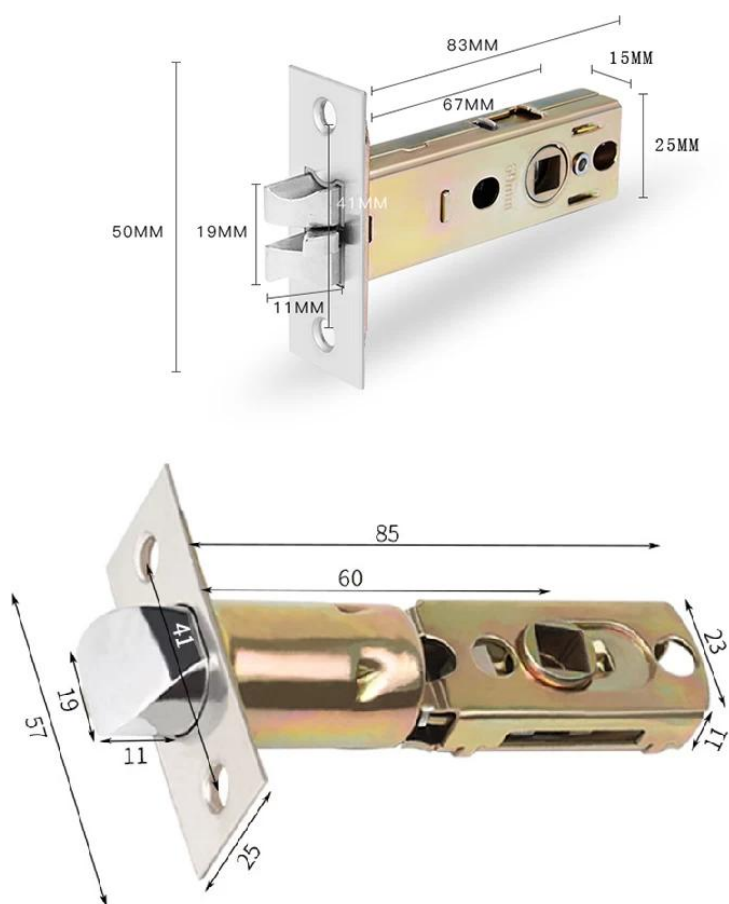




## specifications



## Lock body size



The center distance can be adjusted to 70mm