

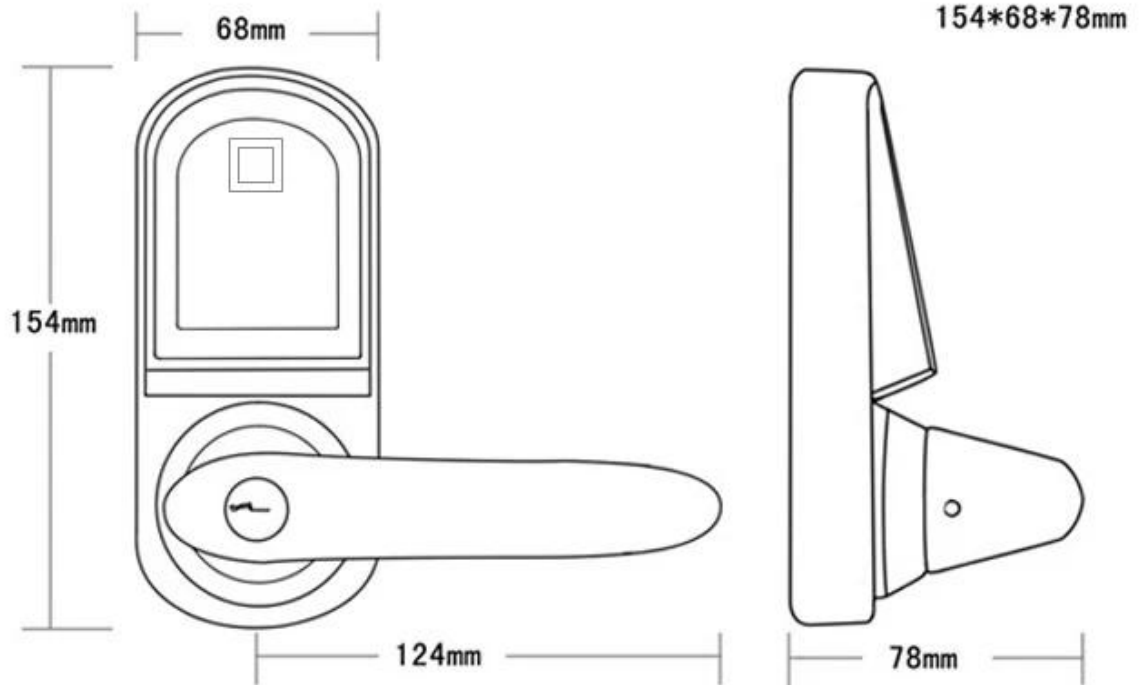


# TUYASMART APP LEVER DOOR LOCK





# PRODUCT SIZE



□□□□

□□□□	□□□□□□
□□□□	DH-210BL
□□□□	□□□□□□□□□□
□□	□□□
□□	154□□* 68□□* 78□□
□□	□□□□□□□□□□Airbnb□□□□□□□□□□
□□□□□□	38□□□48□□
□□□□	4□AA□□□□
□□□□□□	□□□□5,000□□□□□□□ □□□□
□□□□	4.8V□6.5V DC
□□□□	□□4.8V
□□□□ □□	<30uA
□□□□ □□	<200mA
□□□□	-20°C□70°C
□□□□	10□□80□

**CONTACT US**



## **Sincerely for your service**

**You are welcome to come to consult**

---

**Contact:** Yimo Yang

**Cellphone/Wechat/Whatsapp:** +86 13612936220

**Skype:** udohow3

**Email:** [udohow1@udohow.com](mailto:udohow1@udohow.com)

**Web:** [www.udohow.com](http://www.udohow.com)

**HOME**