





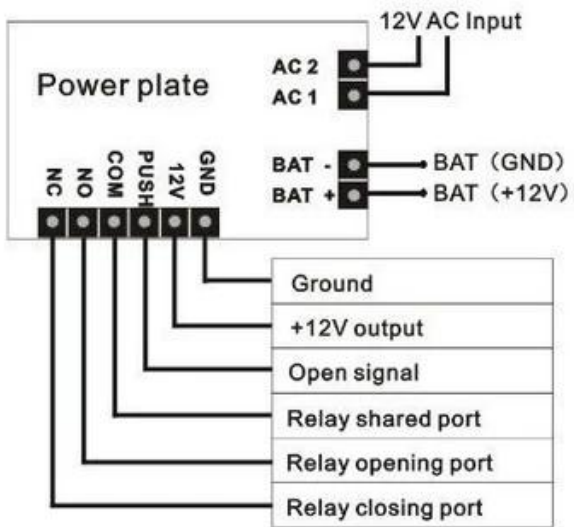


**Power Supply**

Input: AC 220V/50Hz  
Output: DC 12V

The following two conditions:  
1. This device may not cause harmful interference  
2. This device must accept any interference received

### Implicit batteries



### Don't implicit batteries

