

:00000000

000000 000000 00 000000 0000 !0000000 00000 00000000-00000000-00000 0000 000 000000000000 000000 0000 0000 00000 0000 00000000 0 0000 00000 00000 0000 !000000000 000 00000 000000 0 000000000 000000000 000000000 000000000 000000000 00000000 00000000 00000000 00000000!





Material: Zinc Alloy

The shaft is made of hard steel, it is applicable for different thickness of door after adjusting with spring.

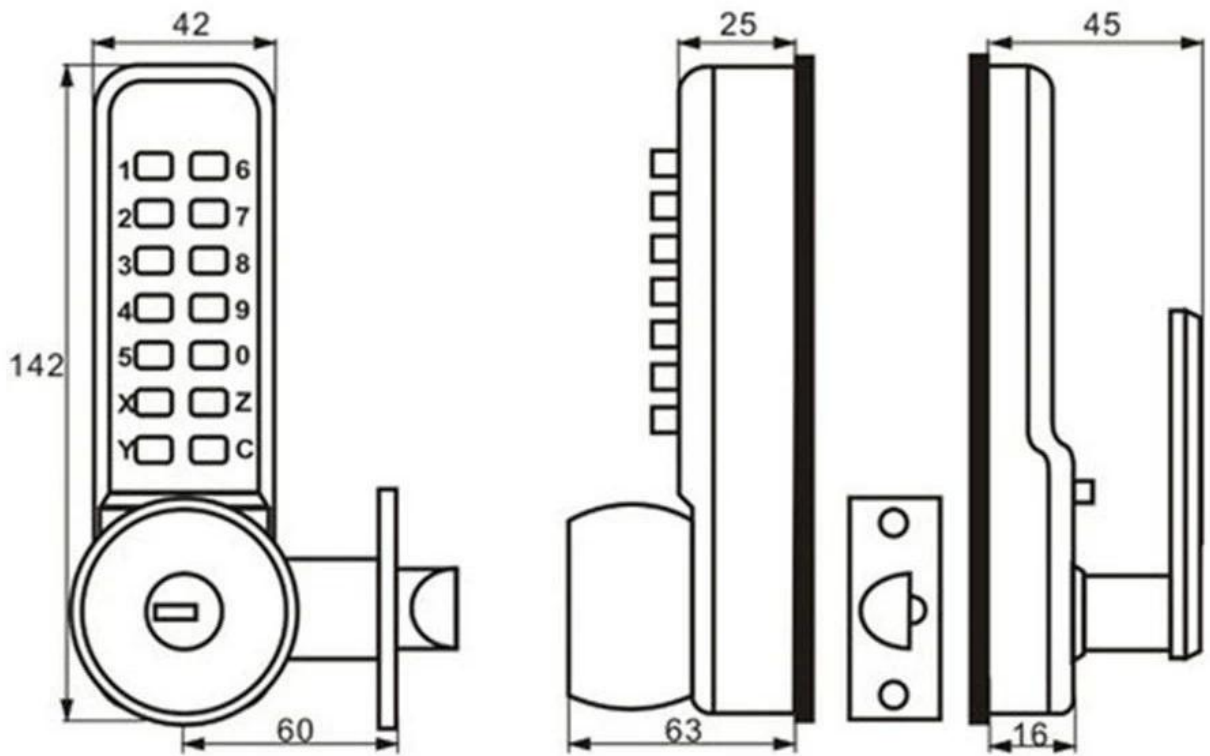


Keystroke function: 14 buttons, including 10 number keystroke and 4 letter keystroke. Special key—button “C”, eliminate misinput, easily use.

Numerical key—choose 4-7 buttons to set the password in 13 keystroke except button “C”.

Change code function: basic on the customers' need , one should change password, 7 buttons most one time, but not overlap.

Security function: exactitude design, preciseness structure, mechanism motion. with strict trial ,it can still work normally after 50000 times opening, Possess security and secrecy.



:
 .
 .

.000000 000 00000000000 0 00000 00 00000 000 00000 00 0 00000000 000 -
00000 00 000000 00 000000 000000 000 000000000 00 -
.000 000 000 0000000 000000000 00000000 00000000 0000000 -
00 60 0 00 35 000 00000 000000 0000 00000000 000000 -.